

Adjustable Solar Brackets ASB

I Energy's Adjustable solar brackets system (*ASB*) is a unique design for brackets that allows you to adjust the tilt of mounted solar panels to follow seasonal sun movements and maximize energy output.

This unique design was created and tested by our team of engineers; , it is very flexible and easy to install and adjust .



Installation has never been easier:

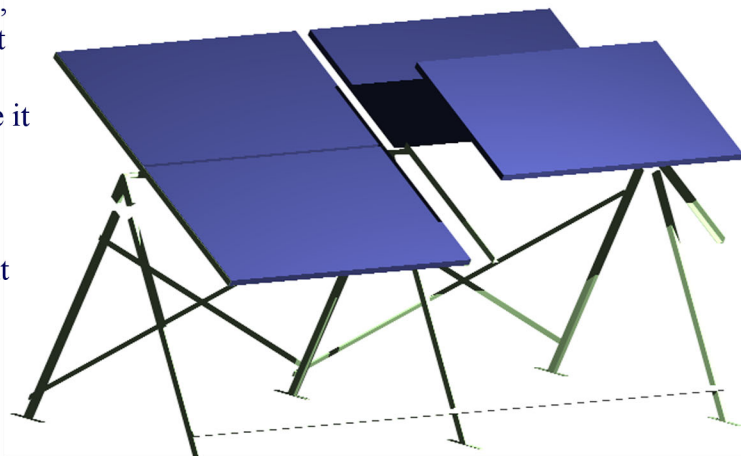
ASB comes in small pieces which make it easy to handle and carry to the roof ; the largest piece is less than 2 meters long, so it all can fit in standard elevator .

ASB needs around 180 cm width at the base; it can fit for 2 or 3 panels per set (page 2), allowing you to install around 1500 Watt in just 7 square meters of space .

ASB are made from steel which make it strong enough to handle storms , and it is powder coated to make it corrosion resistive

ASB can be customized to fit different solar panel sizes ; it is ready for 250 W and 230 W panels.

ASB can be customized to fit on inclined roofs too.



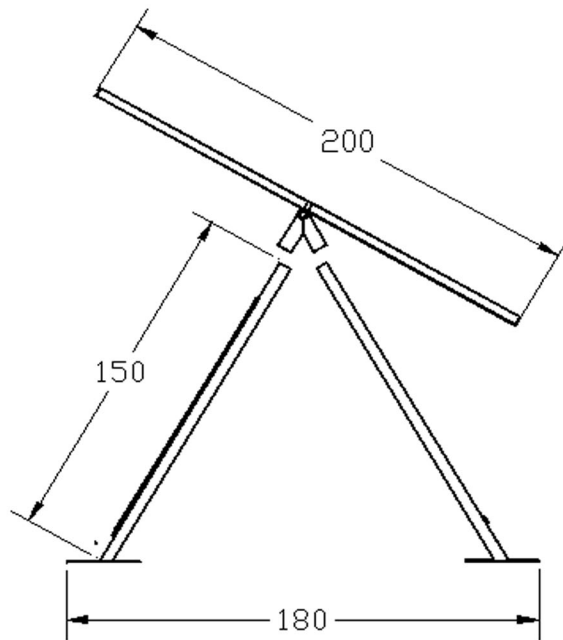
Item	Description
Frame made	Metal
Paint Type	Powder coated
Color (Only the metal frame)	Black / Ivory
Dimensions for each set (250/230 W)	150x150x175(150)cm (WxHxL)
Expandable	Yes
Weight approximate	60 KG

International Energy Solutions, s.a.r.l

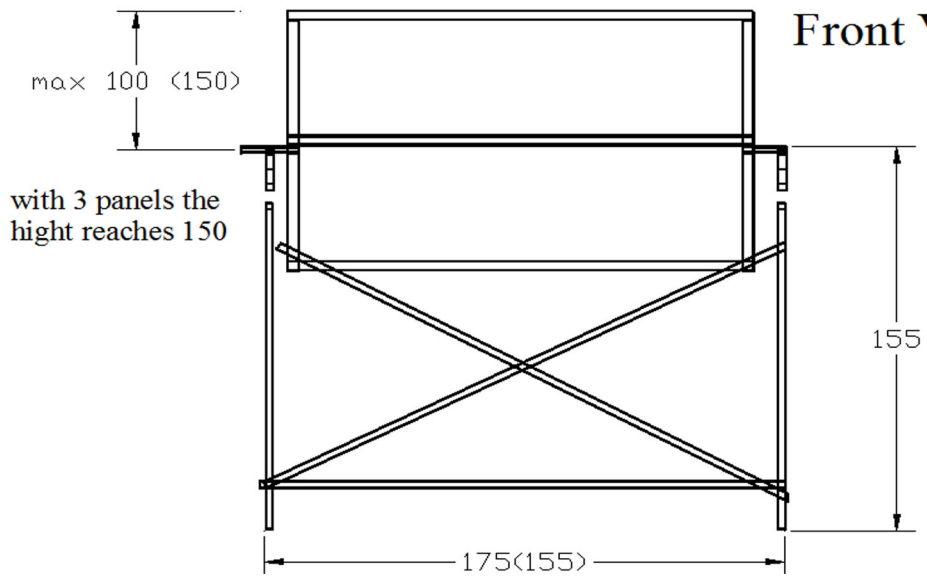
ROLMAN CENTER 2 - 3RD FLOOR - OLD SAYDA RD -AL CHOUEIFAT, LEBANON

Tel : +961-5-432106/7 Fax : +961-5-436792Http://www.ienergy-us.com E-mail : info@ienergy-us.com

One Ste Dimensions - can fit for 2 or 3 Panels



Side View



Front View